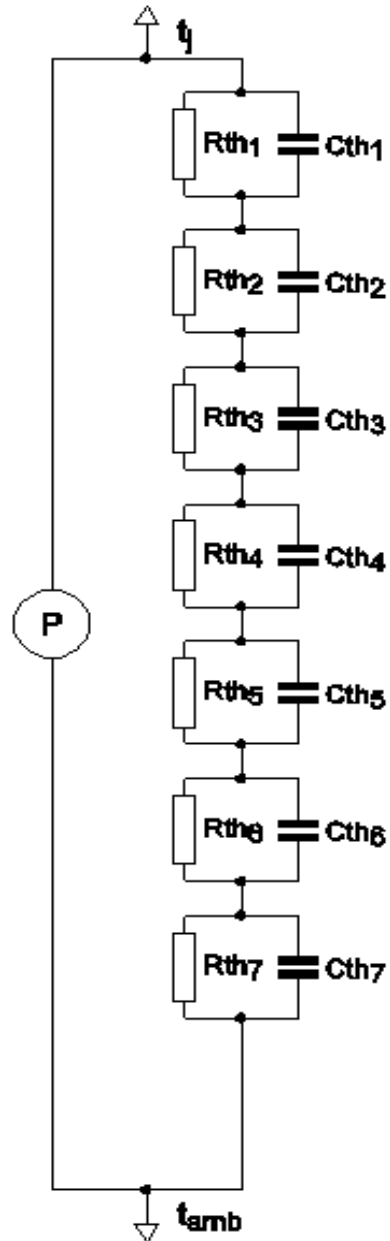


SPICE thermal model

PSMN0R9-30YLD

Symbol	Parameter	Conditions	Min	Typ	Max	Unit
$R_{th(j-mb)}$	thermal resistance from junction to mounting base		-	-	0.51	K/W

C_{th1}	9.345E-05 F
C_{th2}	6.367E-04 F
C_{th3}	6.610E-04 F
C_{th4}	5.770E-03 F
C_{th5}	1.081E-02 F
C_{th6}	2.086E-02 F
C_{th7}	4.517E-01 F
R_{th1}	8.609E-04 Ω
R_{th2}	1.439E-03 Ω
R_{th3}	1.255E-02 Ω
R_{th4}	1.844E-02 Ω
R_{th5}	7.643E-02 Ω
R_{th6}	3.735E-01 Ω
R_{th7}	2.697E-02 Ω



Part: PSMN0R9-30YLD
 Date: 29/4/2014
 Model Rth 0.51 K/W